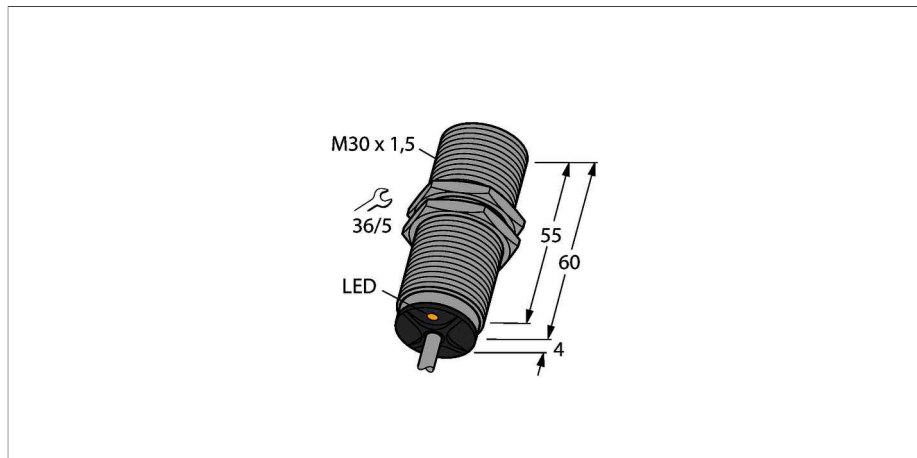


BI10U-M30-AD4X

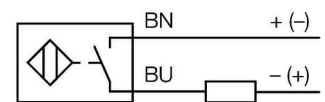
Inductive sensor



Features

- Threaded barrel, M30 x 1.5
- Chrome-plated brass
- Factor 1 for all metals
- Resistant to magnetic fields
- DC 2-wire, 10...65 VDC
- NO contact
- Cable connection

Wiring diagram



Inductive sensors detect metal objects contactless and wear-free. Due to the patented multi-coil system, *uprox*[®]+ sensors have distinct advantages compared to conventional sensors. They excel in largest switching distances, maximum flexibility and operational reliability as well as efficient standardization.

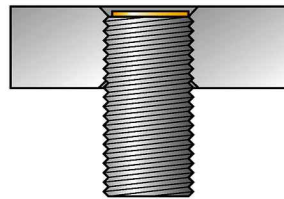
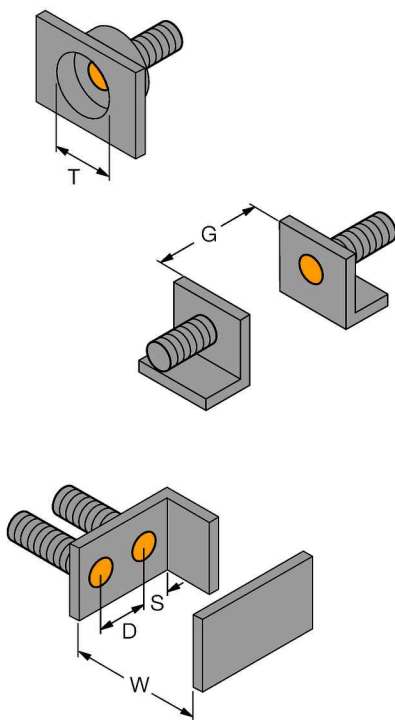
Technical data

Type	BI10U-M30-AD4X
ID number	4405073
Rated switching distance	10 mm
Mounting conditions	Flush
Secured operating distance	≤ (0,81 x S _n) mm
Repeat accuracy	≤ 2 % of full scale
Temperature drift	≤ ± 10 % ≤ ± 15 %, ≤ -25 °C v ≥ +70 °C
Hysteresis	3...20 %
Ambient temperature	-25...+70 °C
Operating voltage	10...65 VDC
Residual ripple	≤ 10 % U _{ss}
DC rated operational current	≤ 100 mA
Residual current	≤ 0.8 mA
Isolation test voltage	≤ 0.5 kV
Short-circuit protection	yes / Cyclic
Voltage drop at	≤ 5 V
Wire breakage/Reverse polarity protection	Complete
Output function	NO contact, 2-wire
Smallest operating current	≥ 3 mA
Switching frequency	0.01 kHz
Design	Threaded barrel, M30 x 1.5
Dimensions	64 mm
Housing material	Metal, CuZn, Chrome-plated
Active area material	Plastic, LCP
End cap	Plastic, EPTR
Max. tightening torque housing nut	75 Nm

Technical data

Electrical connection	Cable
Cable quality	Ø 5.2 mm, LifYY, PVC, 2 m
Cable cross section	2 x 0.34 mm ²
Vibration resistance	55 Hz (1 mm)
Shock resistance	30 g (11 ms)
Protection class	IP68
MTTF	874 years acc. to SN 29500 (Ed. 99) 40 °C
Switching state	LED yellow

Mounting instructions/Description



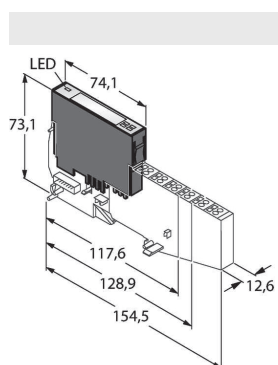
Distance D	60 mm
Distance W	3 x Sn
Distance T	3 x B
Distance S	1.5 x B
Distance G	6 x Sn
Diameter active area B	Ø 30 mm

All flush mountable *upro^x*+ threaded barrel types are also recessed mountable. Safe operation is ensured if the sensor is screwed in by half a turn.

The use of isolating switching amplifiers is possible, because *upro^x*+ 2-wire DC sensors operate with 8 VDC low voltage (limited load current 50mA).

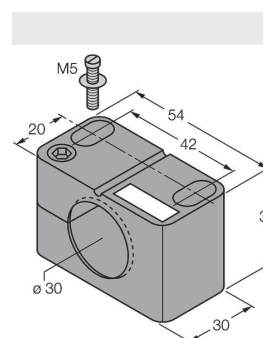
The sensors can be operated with the Turck remote I/O fieldbus system BL20. If the sensors are combined with a BL20-4DI-NAMUR slice, events of wire-break or short-circuit can be detected immediately.

Mounting accessories



BL20-4DI-NAMUR 6827212

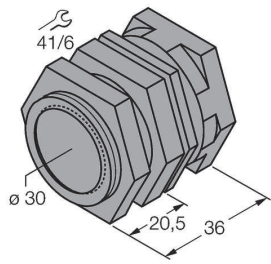
4 digital inputs acc. to EN 60947-5-6 For NAMUR sensors, de-energized contacts or *upro^x*+ 2-wire DC sensors.



BST-30B 6947216

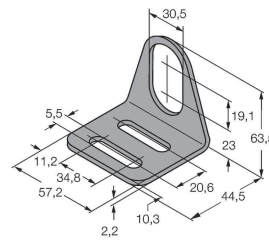
Fixing clamp for threaded barrel devices, with dead-stop; material: PA6

QM-30 6945103



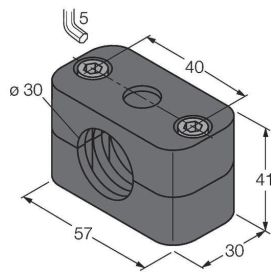
Quick-mount bracket with dead-stop; material: Chrome-plated brass Male thread M36 x 1.5. Note: The switching distance of proximity switches can be reduced by the use of quick-mount brackets.

MW-30 6945005



Mounting bracket for threaded barrel devices; material: Stainless steel A2 1.4301 (AISI 304)

BSS-30 6901319



Mounting bracket for smooth and threaded barrel devices; material: Polypropylene