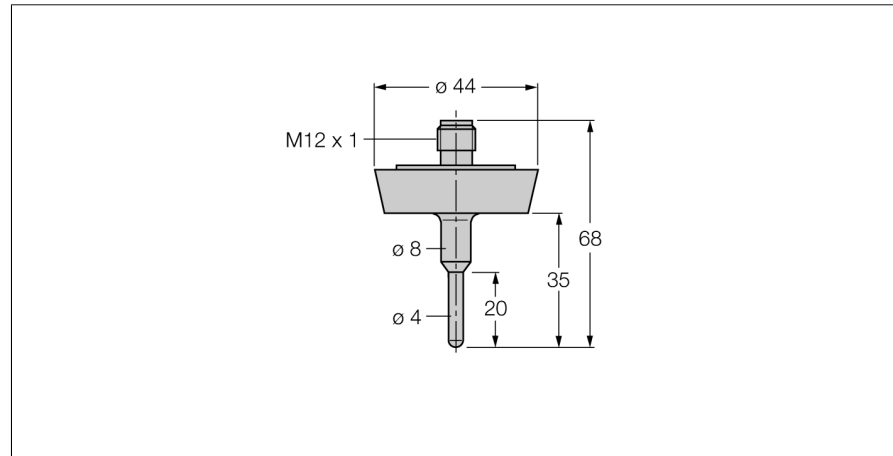


**Temperature measurement  
Probe  
TP-504A-DN25K-H1141-L035**



- Pt-100 probe acc. to DIN EN 60751
- Vibration and shock-resistant
- Connectable to TS, TTM, IM34, BL20, BL67
- Process connection DN25 acc. to DIN 11851
- 4-wire connection technology

**General description**

Resistance thermometers are used for the detection and monitoring of temperatures to optimize and control a process.

Typical applications are in machine and plant construction as well as in the process industry.

The core element of the temperature probe is a temperature-dependent resistor.

<b>Type designation</b>	TP-504A-DN25K-H1141-L035
Ident no.	9910431
<b>Temperature range</b>	-50...120 °C
Temperature operating range	-58...248 °F
Measuring element	Pt-100 probe, DIN EN 60751, class A
Accuracy	0.15 °C + 0.002 · t  (-30 ...350 °C)
Response time	t 0.5 = 3 s / t 0.9 = 10 s in water at 0.2 m/s
Immersion depth (L)	35 mm
<b>Protection type and class</b>	IP67
<b>Ambient conditions</b>	
Ambient temperature	-40...+120 °C
<b>Housing</b>	
Sensor material	Stainless steel, AISI 316L
Process connection	Threaded tube connection per DIN11851
Electrical connection	Connector, M12, 4-pin
Pressure resistance	40 bar
<b>Reference conditions acc. to IEC 61298-1</b>	
Temperature	15...+25 °C
Atmospheric pressure	860...1060 hPa abs.
Humidity	45...75 % rel.
Auxiliary power	24 VDC
<b>MTTF</b>	2283 acc. to SN 29500 (Ed. 99) 20 °C

**Temperature measurement  
Probe  
TP-504A-DN25K-H1141-L035**

**TURCK**

Industrial  
Automation

**Wiring accessories**

Type code	Ident no.	Description	
WKC4.4T-2/TEL	6625025	Connection cable, female M12, angled, 4-pin, cable length: 2 m, sheath material: PVC, black; cULus approval; other cable lengths and qualities available, see <a href="http://www.turck.com">www.turck.com</a>	
RKC4.4T-2/TXL	6625503	Connection cable, female M12, straight, 4-pin, cable length: 2 m, sheath material: PUR, black; cULus approval; other cable lengths and qualities available, see <a href="http://www.turck.com">www.turck.com</a>	
WKC4.4T-2/TXL	6625515	Connection cable, female M12, angled, 4-pin, cable length: 2 m, sheath material: PUR, black; cULus approval; other cable lengths and qualities available, see <a href="http://www.turck.com">www.turck.com</a>	
RKC4.4T-P7X2-10/TXL	6626184	Connection cable, female M12, angled, 4-pin, cable length: 10m, sheath material: PUR, black; cULus approval; other cable lengths and qualities available, see <a href="http://www.turck.com">www.turck.com</a>	